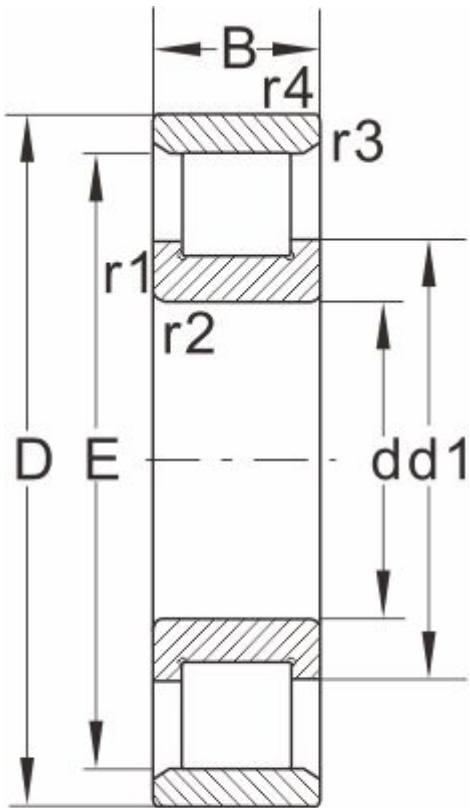


NJ416M

Dimensions and Parameters



N....

Bearing NO.	NJ416M
-------------	--------

Dimension

d	80
D	200
B	48
r1 r2 min	3
r3 r4 min	3
S ≈	--

Basic load ratings

Dynamic(Cr)	300
Static(Cor)	310

Limiting speed(rpm)

Grease	3000
Oil	3600

Bearing Dimension

E	--
F	110
d1 ≈	122
D1 ≈	158.8

Oblique retaining ring

B2	13
B3	22

Weight

Bearing	8.3
Oblique retaining ring	0.79