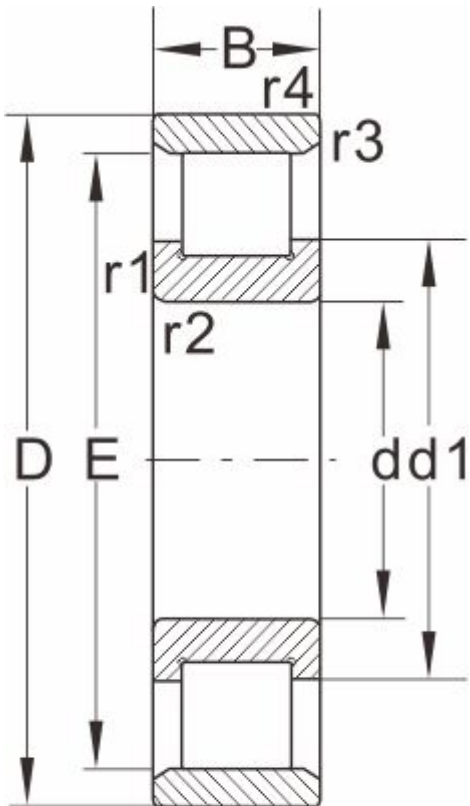


NJ408M

Dimensions and Parameters



N....

Bearing NO.	NJ408M
Dimension	
d	40
D	110
B	27
r1 r2 min	2
r3 r4 min	2
S ≈	--
Basic load ratings	
Dynamic(Cr)	93
Static(Cor)	86.5
Limiting speed(rpm)	
Grease	5500
Oil	6800
Bearing Dimension	
E	--
F	58
d1 ≈	64.8
D1 ≈	85.8
Oblique retaining ring	
B2	8
B3	13
Weight	
Bearing	1.3
Oblique retaining ring	--