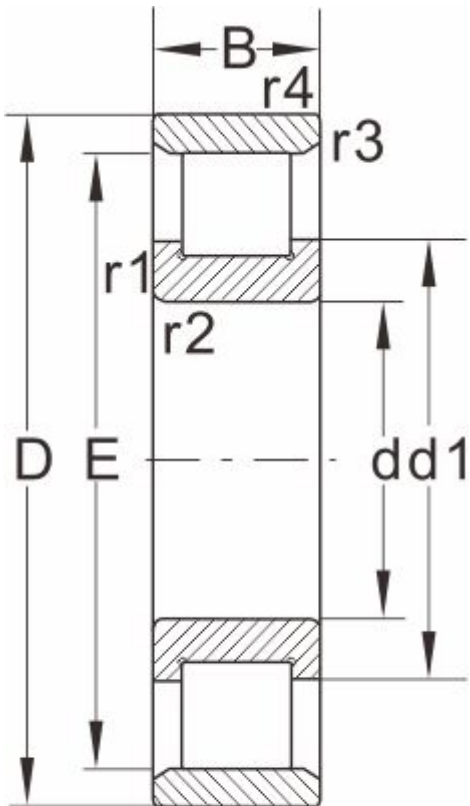


**N315E****Dimensions and Parameters**

N....

Bearing NO.	N315E
-------------	-------

## Dimension

d	75
D	160
B	37
r1 r2 min	2.1
r3 r4 min	2.1
S ≈	1.8

## Basic load ratings

Dynamic(Cr)	240
Static(Cor)	265

## Limiting speed(rpm )

Grease	3400
Oil	4000

## Bearing Dimension

E	143
F	--
d1 ≈	104.3
D1 ≈	--

## Oblique retaining ring

B2	--
B3	--

## Weight

Bearing	3.4
Oblique retaining ring	--