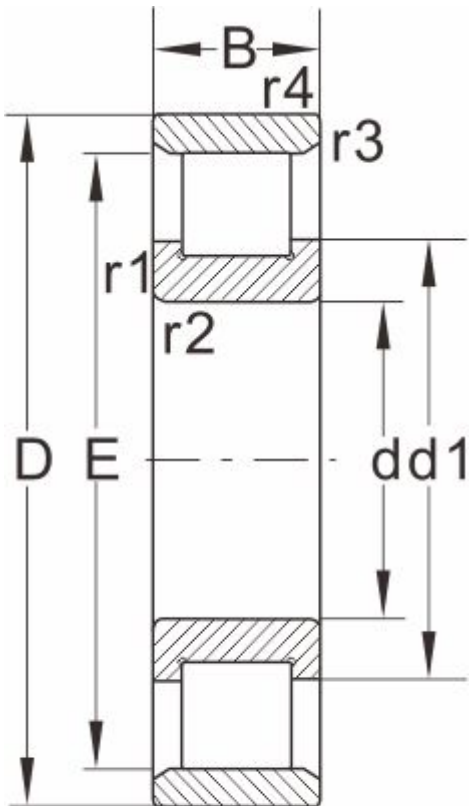


N308E**Dimensions and Parameters**

N....

Bearing NO.	N308E
-------------	-------

Dimension

d	40
D	90
B	23
r1 r2 min	1.5
r3 r4 min	1.5
S ≈	2.5

Basic load ratings

Dynamic(Cr)	81.5
Static(Cor)	78

Limiting speed(rpm)

Grease	6300
Oil	7500

Bearing Dimension

E	80
F	--
d1 ≈	57.7
D1 ≈	--

Oblique retaining ring

B2	--
B3	--

Weight

Bearing	0.65
Oblique retaining ring	--