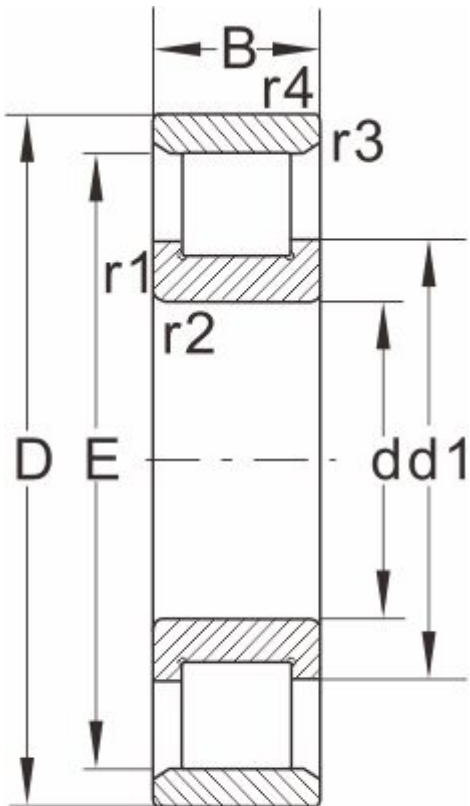


**N218E****Dimensions and Parameters**

N....

Bearing NO.	N218E
-------------	-------

## Dimension

d	90
D	160
B	30
r1 r2 min	2
r3 r4 min	2
S ≈	1.4

## Basic load ratings

Dynamic(Cr)	183
Static(Cor)	216

## Limiting speed(rpm )

Grease	3600
Oil	4300

## Bearing Dimension

E	145
F	--
d1 ≈	114.5
D1 ≈	--

## Oblique retaining ring

B2	--
B3	--

## Weight

Bearing	2.4
Oblique retaining ring	--