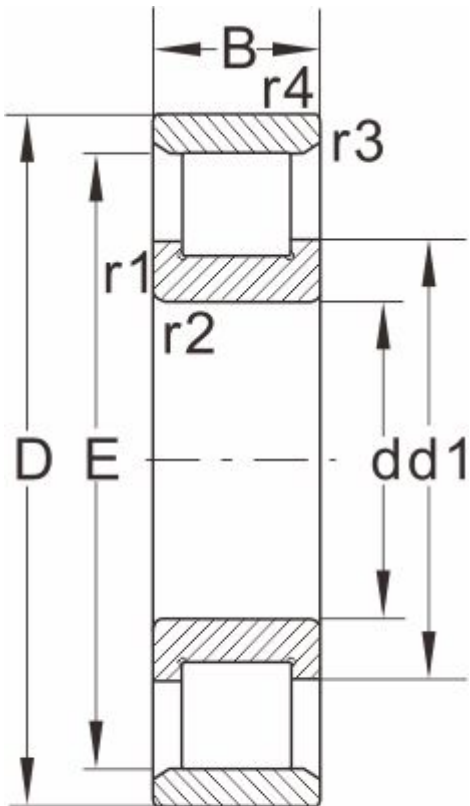


**N215E****Dimensions and Parameters**

N....

Bearing NO.	N215E
-------------	-------

## Dimension

d	75
D	130
B	25
r1 r2 min	1.5
r3 r4 min	1.5
S ≈	1.2

## Basic load ratings

Dynamic(Cr)	132
Static(Cor)	156

## Limiting speed(rpm )

Grease	4500
Oil	5300

## Bearing Dimension

E	118.5
F	--
d1 ≈	94.5
D1 ≈	--

## Oblique retaining ring

B2	--
B3	--

## Weight

Bearing	1.25
Oblique retaining ring	--