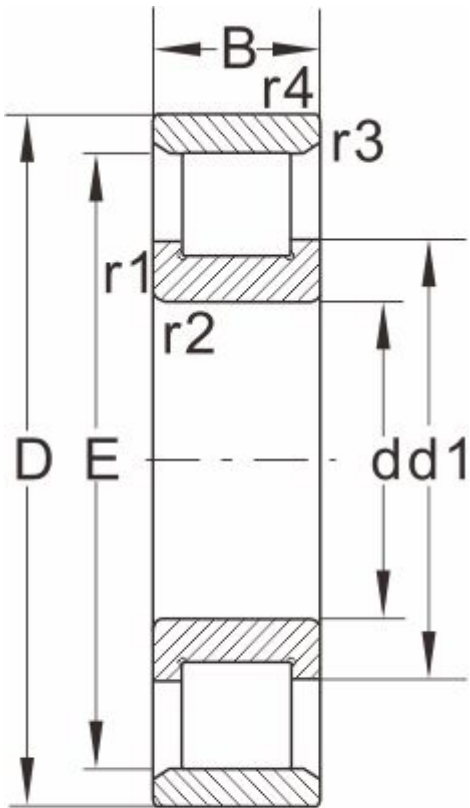


N205E**Dimensions and Parameters**

N....

Bearing NO.	N205E
-------------	-------

Dimension

d	25
D	52
B	15
r1 r2 min	1
r3 r4 min	0.6
S ≈	1.3

Basic load ratings

Dynamic(Cr)	29
Static(Cor)	27.5

Limiting speed(rpm)

Grease	12000
Oil	15000

Bearing Dimension

E	46.5
F	--
d1 ≈	34.9
D1 ≈	--

Oblique retaining ring

B2	--
B3	--

Weight

Bearing	0.14
Oblique retaining ring	--