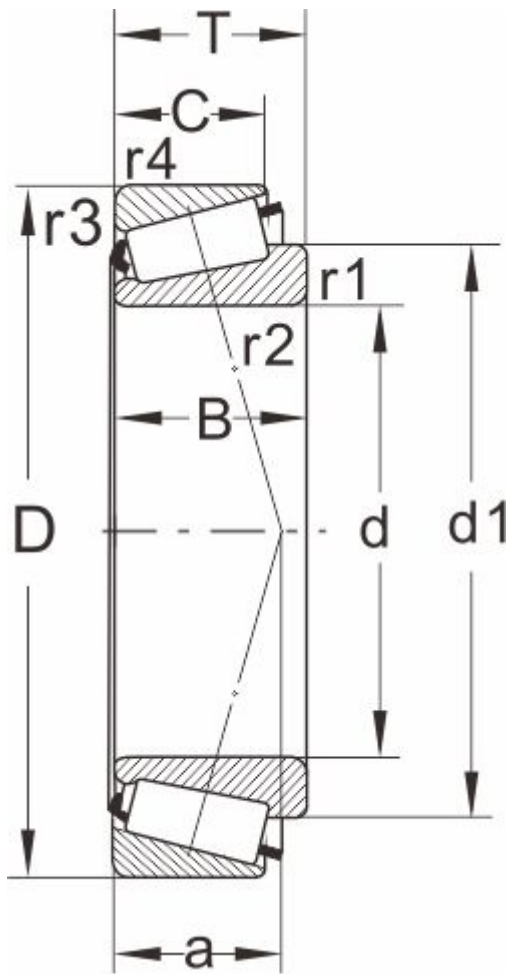


K-LM67048/K-LM67010**Dimensions and Parameters**

Designations	K-LM67048/K-LM67010
Series	LM37000

Boundary dimensions [mm]

d	31.750,1.2500
D	59.131
T	15.876
d1	44.9
B	16.764
C	11.811
r1.2 min	3.6
r3.4 min	1.3
a	13

Load ratings (KN)

Dynmic Cr	34.7
stat Cor	41.5

Fatigue load

pu	4.4
----	-----

Speed ratings [rpm]

油润滑	6300
grease	8500
Mass(kg)	0.18

Abutment and fillet

dimensions [mm]

da max	38
db min	44.5
Da min	51

Single Row Tapered Roller Bearings (Inch series)

Da max	52
Db min	55
Cb min	3
Ca min	4
ra max	3.5
rb max	1

Calculation factors

e	0.4
Y	1.5
Y0	0.8