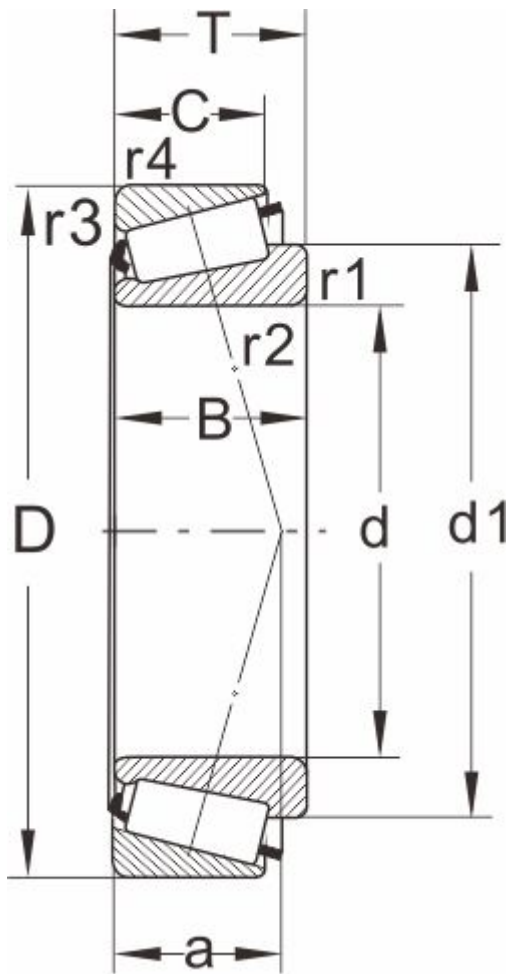


K-HM218248/K-HM218210**Dimensions and Parameters**

Designations	K-HM218248/K-HM218210
Series	HM218200

Boundary dimensions [mm]

d	89.974, 3.5423
D	146.975
T	40
d_1	116
B	40
C	32.5
$r_{1.2 \text{ min}}$	7
$r_{3.4 \text{ min}}$	3.5
a	31

Load ratings (KN)

Dynamic C_r	229
static C_{or}	355

Fatigue load

p_u	39
-------	----

Speed ratings [rpm]

油润滑	2200
grease	3200
Mass (kg)	2.5

Abutment and fillet

dimensions [mm]

$d_a \text{ max}$	101
$d_b \text{ min}$	110.5

Single Row Tapered Roller Bearings (Inch series)

Da min	130
Da max	133.5
Db min	140
Cb min	7
Ca min	7.5
ra max	6
rb max	3

Calculation factors

e	0.33
Y	1.8
Y0	1