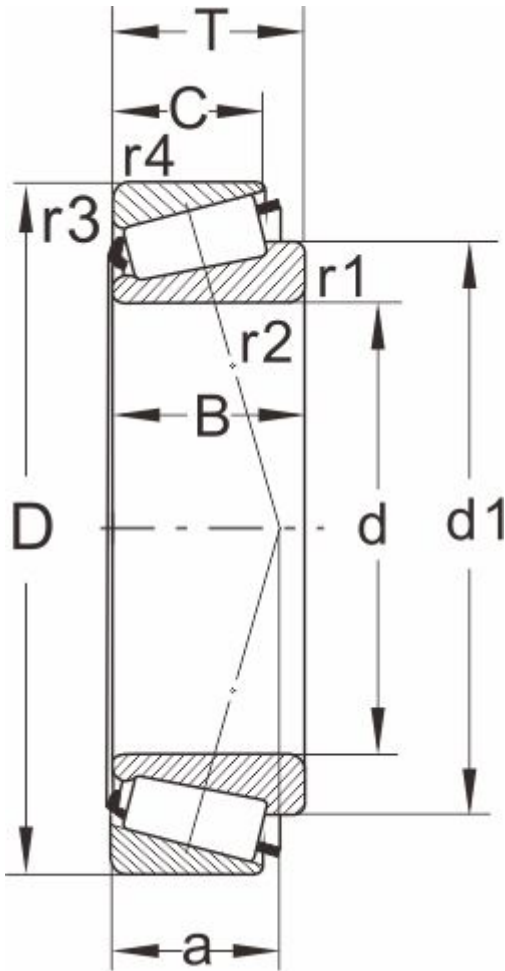


K-99600/K-99100**Dimensions and Parameters**

Designations	K-99600/K-99100
Series	99000

Boundary dimensions [mm]

d	152.400,6.000
D	254
T	66.675
d1	199
B	66.685
C	47.625
r1.2 min	7
r3.4 min	3.3
a	54

Load ratings (KN)

Dynmic Cr	583
stat Cor	980

Fatigue load

pu	96.5
----	------

Speed ratings [rpm]

油润滑	1300
grease	1800
Mass(kg)	12.5

Abutment and fillet

dimensions [mm]

da max	171
db min	174.5
Da min	217

Single Row Tapered Roller Bearings (Inch series)

Da max	239
Db min	237
Cb min	10
Ca min	19
ra max	6
rb max	3

Calculation factors

e	0.4
Y	1.5
Y0	0.8