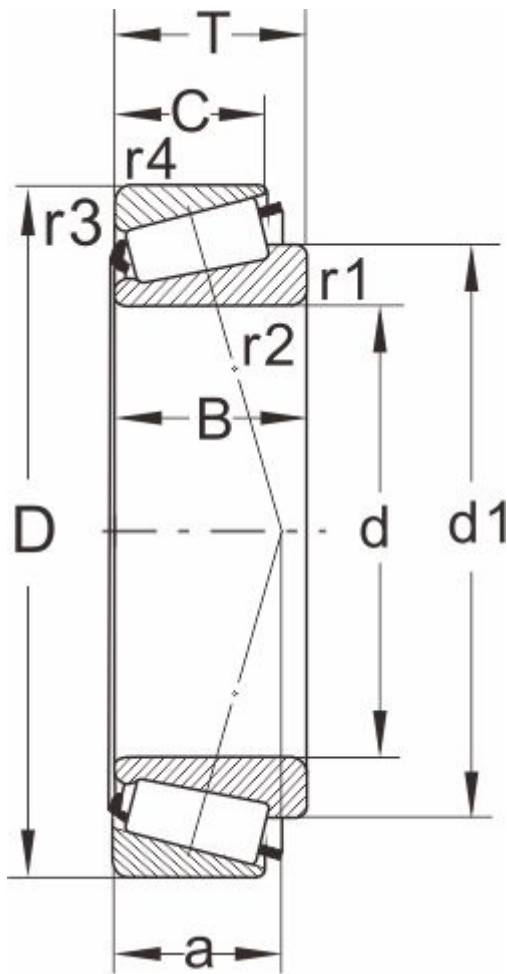


K-496/K-493**Dimensions and Parameters**

| | |
|--------------|-------------|
| Designations | K-496/K-493 |
| Series | 495 |

Boundary dimensions [mm]

| | |
|----------|---------------|
| d | 80.962,3.1875 |
| D | 136.375 |
| T | 30.162 |
| d1 | 109 |
| B | 29.769 |
| C | 22.225 |
| r1.2 min | 3.5 |
| r3.4 min | 3.3 |
| a | 29 |

Load ratings (KN)

| | |
|-----------|-----|
| Dynmic Cr | 145 |
| stat Cor | 220 |

Fatigue load

| | |
|----|------|
| pu | 25.5 |
|----|------|

Speed ratings [rpm]

| | |
|----------|------|
| 油润滑 | 2400 |
| grease | 3400 |
| Mass(kg) | 1.7 |

Abutment and fillet

dimensions [mm]

| | |
|--------|------|
| da max | 95 |
| db min | 94.5 |
| Da min | 119 |

Single Row Tapered Roller Bearings (Inch series)

| | |
|--------|-------|
| Da max | 123.5 |
| Db min | 128 |
| Cb min | 4 |
| Ca min | 7.5 |
| ra max | 3 |
| rb max | 3 |

Calculation factors

| | |
|----|------|
| e | 0.44 |
| Y | 1.35 |
| Y0 | 0.8 |