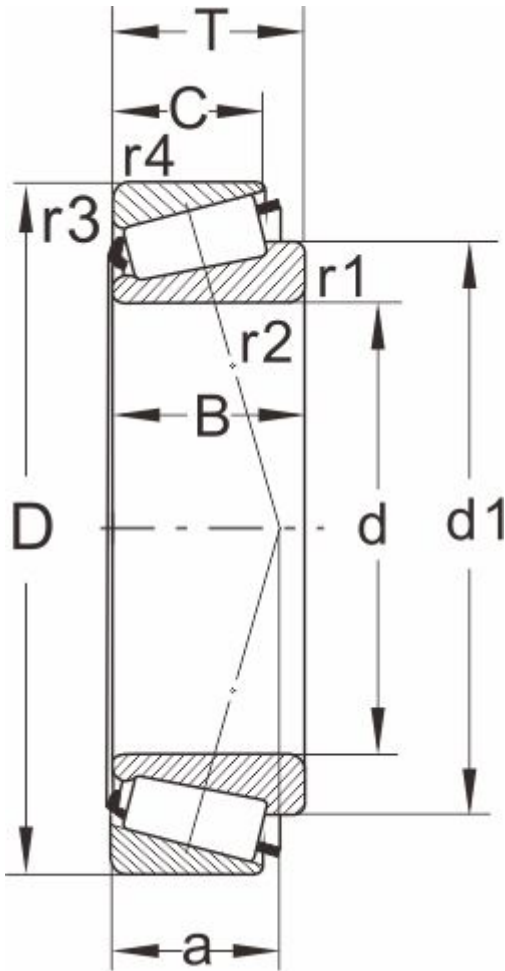


K-43131/K-43312**Dimensions and Parameters**

Designations	K-43131/K-43312
Series	43000

Boundary dimensions [mm]

d	33.338, 1.3125
D	79.375
T	25.4
d1	55.5
B	24.074
C	17.462
r1.2 min	3.5
r3.4 min	1.5
a	23

Load ratings (KN)

Dynmic Cr	67.1
stat Cor	71

Fatigue load

pu	8.3
----	-----

Speed ratings [rpm]

油润滑	5000
grease	6700
Mass(kg)	0.58

Abutment and fillet

dimensions [mm]

da max	42
db min	45.5
Da min	61

Single Row Tapered Roller Bearings (Inch series)

Da max	71.5
Db min	73
Cb min	4
Ca min	7.5
ra max	3
rb max	1

Calculation factors

e	0.68
Y	0.88
Y0	0.5