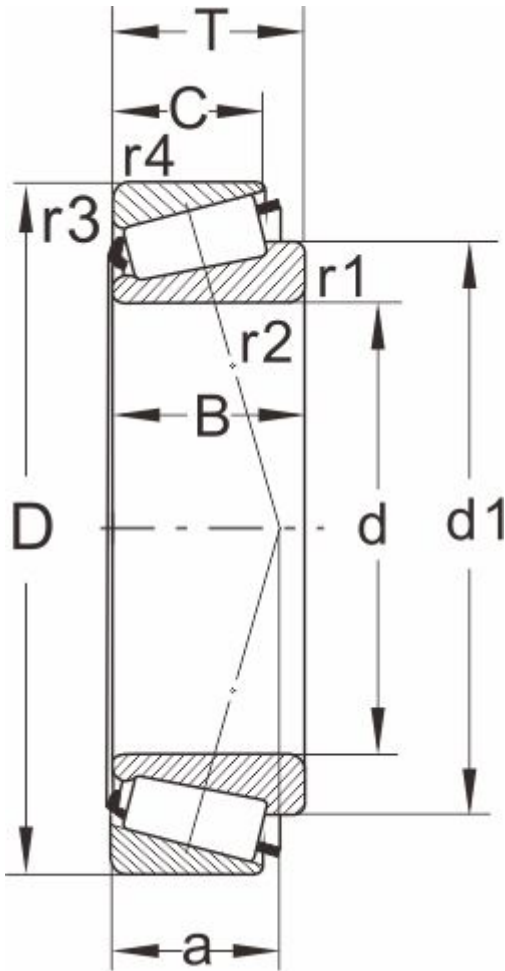


**K-42687/K-42620****Dimensions and Parameters**

Designations	K-42687/K-42620
Series	42600

## Boundary dimensions [mm]

d	76.200,3.0000
D	127
T	30.162
d1	101
B	31
C	22.225
r1.2 min	3.5
r3.4 min	3.3
a	27

## Load ratings (KN)

Dynmic Cr	138
stat Cor	204

## Fatigue load

pu	24
----	----

## Speed ratings [rpm]

油润滑	2800
grease	3800
Mass(kg)	1.45

## Abutment and fillet

## dimensions [mm]

da max	88
db min	89.5
Da min	112

## Single Row Tapered Roller Bearings (Inch series)

---

Da max	114
Db min	120
Cb min	5
Ca min	7.5
ra max	3
rb max	3

### Calculation factors

e	0.43
Y	1.4
Y0	0.8