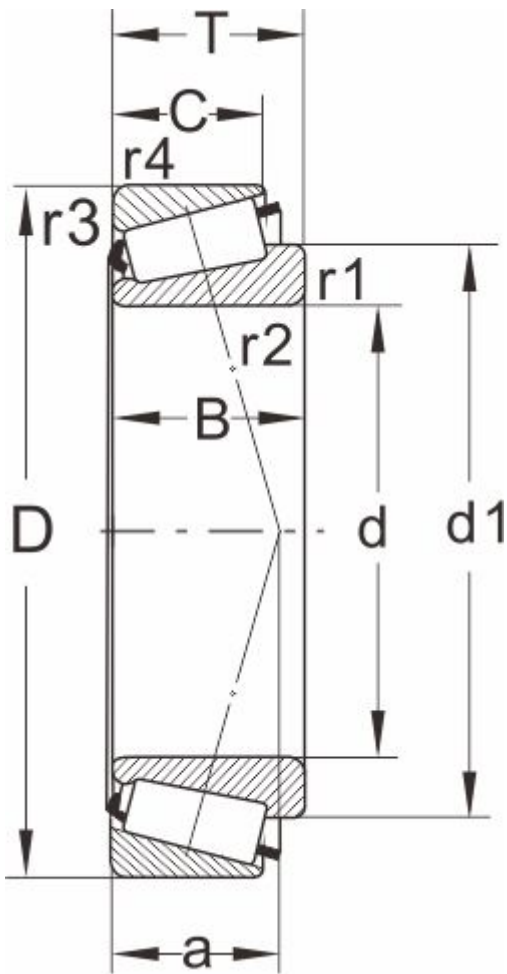


K-29590/K-29521**Dimensions and Parameters**

Designations	K-29590/K-29521
Series	29500

Boundary dimensions [mm]

d	66.675, 2.6250
D	110
T	25.4
d1	88.3
B	25.4
C	19.05
r1.2 min	3.5
r3.4 min	1.3
a	24

Load ratings (KN)

Dynmic Cr	89.7
stat Cor	137

Fatigue load

pu	15.3
----	------

Speed ratings [rpm]

油润滑	3200
grease	4300
Mass(kg)	0.93

Abutment and fillet

dimensions [mm]

da max	77
db min	79.5
Da min	94

Single Row Tapered Roller Bearings (Inch series)

Da max	101.5
Db min	102
Cb min	5
Ca min	6
ra max	3
rb max	1

Calculation factors

e	0.46
Y	1.3
Y0	0.7