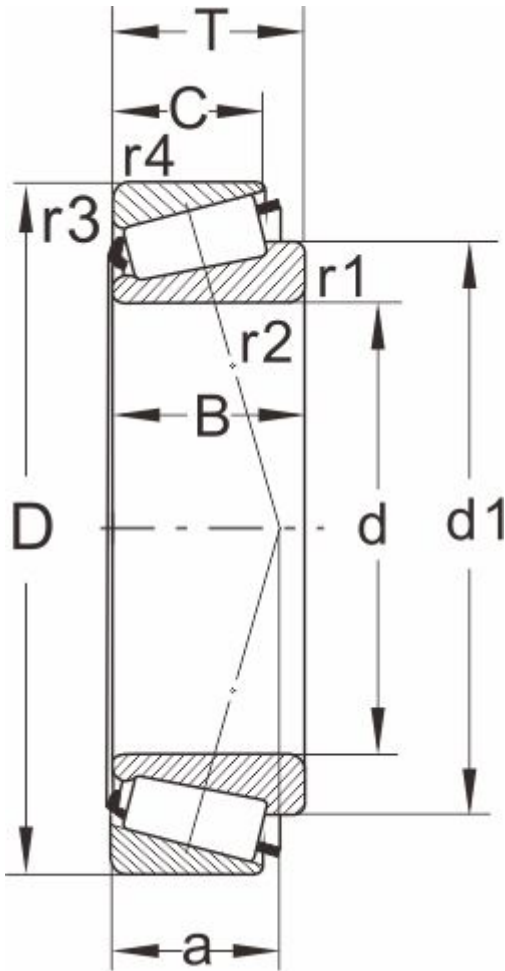


**K-07100S/K-07210X****Dimensions and Parameters**

Designations	K-07100S/K-07210X
Series	7000

## Boundary dimensions [mm]

d	25.400,1.0000
D	50.8
T	15.011
d1	37.3
B	14.26
C	12.7
r1.2 min	1.5
r3.4 min	1.5
a	12

## Load ratings (KN)

Dynmic Cr	28.1
stat Cor	30.5

## Fatigue load

pu	3.2
----	-----

## Speed ratings [rpm]

油润滑	7500
grease	10000
Mass(kg)	0.13

## Abutment and fillet

## dimensions [mm]

da max	31
db min	32.5
Da min	43

## Single Row Tapered Roller Bearings (Inch series)

---

Da max	43.5
Db min	48
Cb min	2
Ca min	2
ra max	1
rb max	1

### Calculation factors

e	0.4
Y	1.5
Y0	0.8