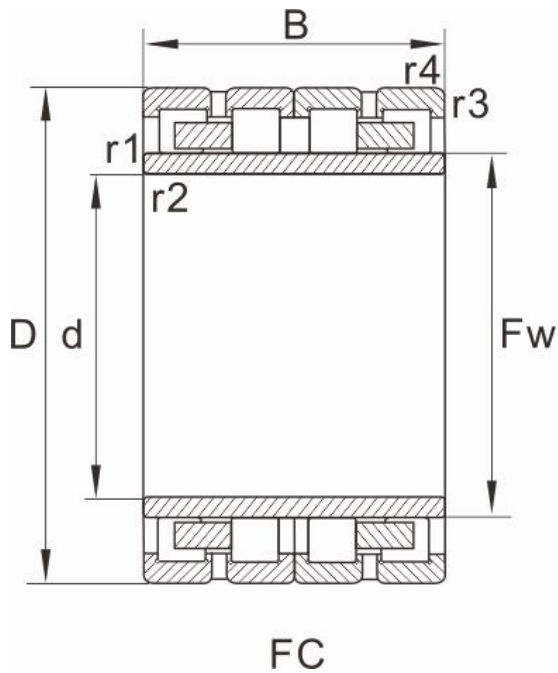


FCDP92122322

Dimensions and Parameters



Bearing No.	FCDP92122322
Boundary dimensions(mm)	
d	460
D	610
B	322
Fw	499
r1.2min	5
r3.4min	5
Draw	10

Basic load ratings(kN)

Dynamic(Cr)	410
Static(Cor)	14600
Weight (kg)	290

Reference model

SKF	
FAG	526420
NTN	
NSK	
KOYO	