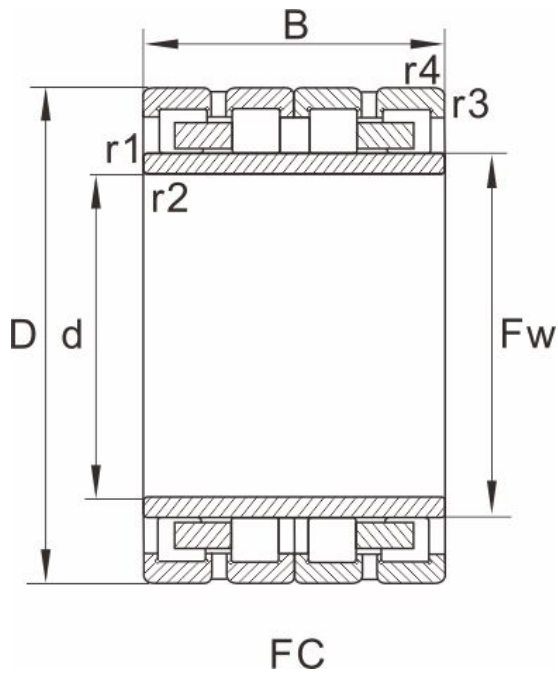


FCDP88124450

Dimensions and Parameters



Bearing No.	FCDP88124450
Boundary dimensions(mm)	
d	440
D	620
B	450
Fw	487
r1.2min	5
r3.4min	5
Draw	10

Basic load ratings(kN)

Dynamic(Cr)	4350
Static(Cor)	17800
Weight (kg)	450

Reference model

SKF	314554B
FAG	517454A
NTN	4R8801
NSK	440RV6213
KOYO	88FC62450AW