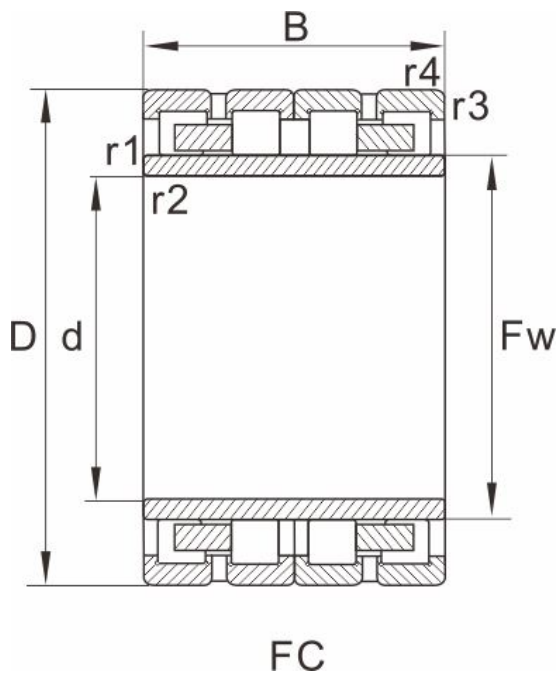


FCDP6084300**Dimensions and Parameters**

Bearing No.	FCDP6084300
Boundary dimensions(mm)	
d	300
D	420
B	300
Fw	332
r1.2min	4
r3.4min	4
Draw	9

Basic load ratings(kN)

Dynamic(Cr)	3180
Static(Cor)	7200
Weight (kg)	131

Reference model

SKF	31484D
FAG	524289B
NTN	4R6020
NSK	300RV4221
KOYO	4CR300