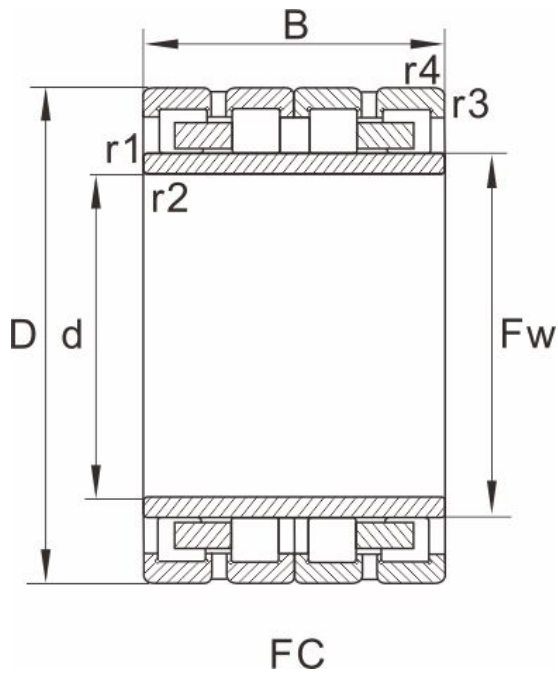


FCDP190272975

Dimensions and Parameters



Bearing No.	FCDP190272975
Boundary dimensions(mm)	
d	950
D	1360
B	975
Fw	1075
r1.2min	9.5
r3.4min	7.5
Draw	10

Basic load ratings(kN)

Dynamic(Cr)	31700
Static(Cor)	97000
Weight (kg)	4900

Reference model

SKF	BC4B319862
FAG	
NTN	
NSK	
KOYO	