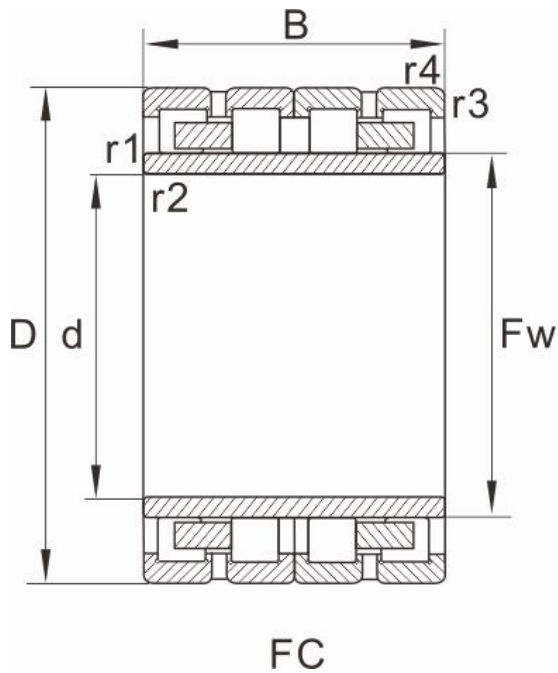


FCDP166216710

Dimensions and Parameters



Bearing No.	FCDP166216710
Boundary dimensions(mm)	
d	830
D	1080
B	710
Fw	896
r1.2min	7.5
r3.4min	7.5
Draw	10

Basic load ratings(kN)

Dynamic(Cr)	22800
Static(Cor)	62000
Weight (kg)	1725

Reference model

SKF	
FAG	567729
NTN	4R16601
NSK	
KOYO	166FC108710