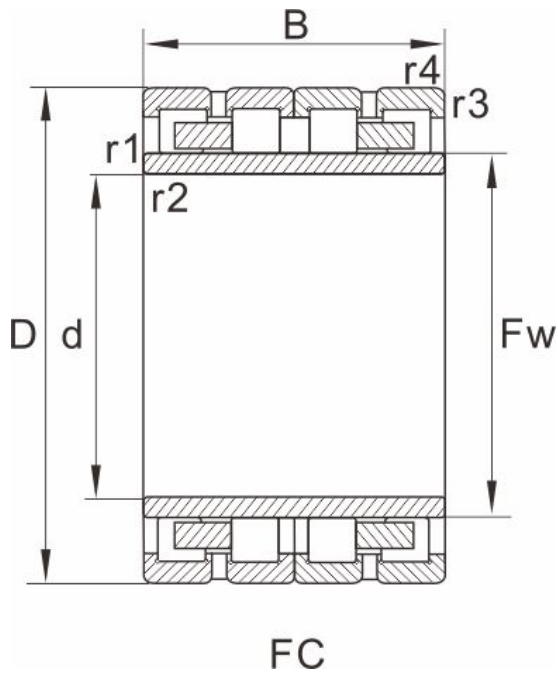


FCDP146206750

Dimensions and Parameters



Bearing No.	FCDP146206750
Boundary dimensions(mm)	
d	730
D	1030
B	750
Fw	809
r1.2min	7.5
r3.4min	7.5
Draw	10

Basic load ratings(kN)

Dynamic(Cr)	20650
Static(Cor)	56400
Weight (kg)	2050

Reference model

SKF	314518B
FAG	517679
NTN	
NSK	760RV1011
KOYO	