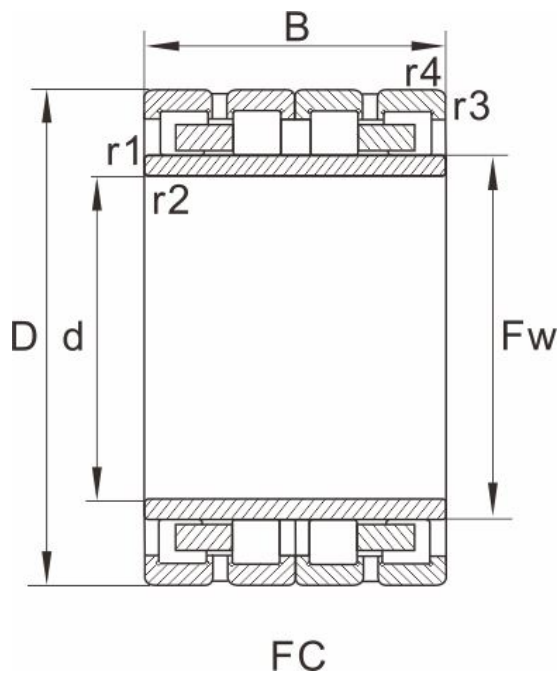


FCDP120174640**Dimensions and Parameters**

Bearing No.	FCDP120174640
Boundary dimensions(mm)	
d	600
D	870
B	640
Fw	672
r1.2min	7.5
r3.4min	7.5
Draw	9

Basic load ratings(kN)

Dynamic(Cr)	15700
Static(Cor)	40000
Weight (kg)	1320

Reference model

SKF	315513
FAG	517684A
NTN	4R12001
NSK	600RV8713
KOYO	120FC87640