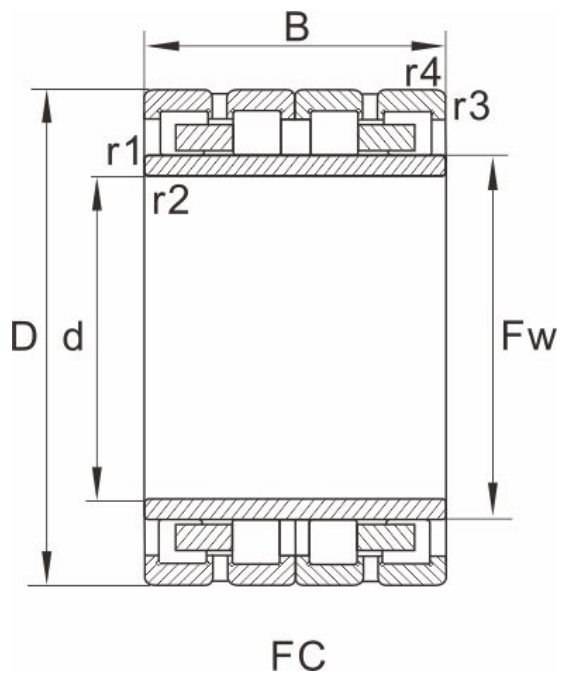


FCD76104280

Dimensions and Parameters



Bearing No.	FCD76104280
Boundary dimensions(mm)	
d	380
D	520
B	280
Fw	426
r1.2min	4
r3.4min	4
Draw	4

Basic load ratings(kN)

Dynamic(Cr)	2580
Static(Cor)	6210
Weight (kg)	185

Reference model

SKF	NNU4976B/DRW33
FAG	
NTN	
NSK	
KOYO	