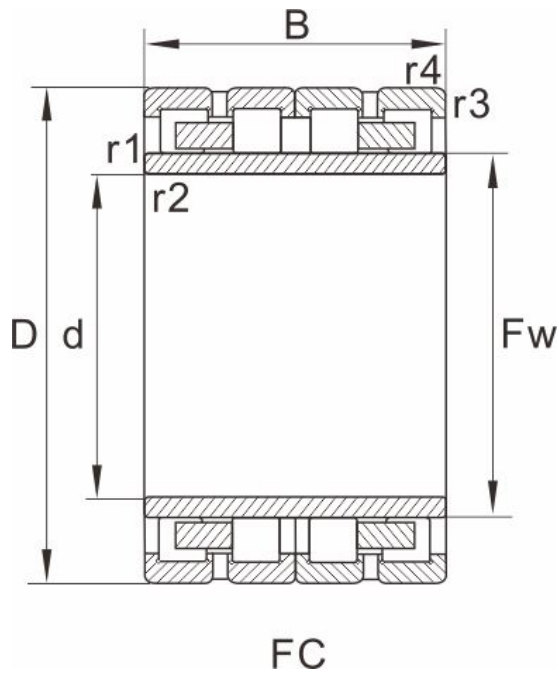


# FCD132176450

## Dimensions and Parameters



Bearing No.	FCD132176450
Boundary dimensions(mm)	
d	660
D	880
B	450
Fw	727
r1.2min	7.5
r3.4min	7.5
Draw	5

### Basic load ratings(kN)

Dynamic(Cr)	8390
Static(Cor)	22000
Weight (kg)	792

### Reference model

SKF	313477/VJ202
FAG	
NTN	
NSK	
KOYO	