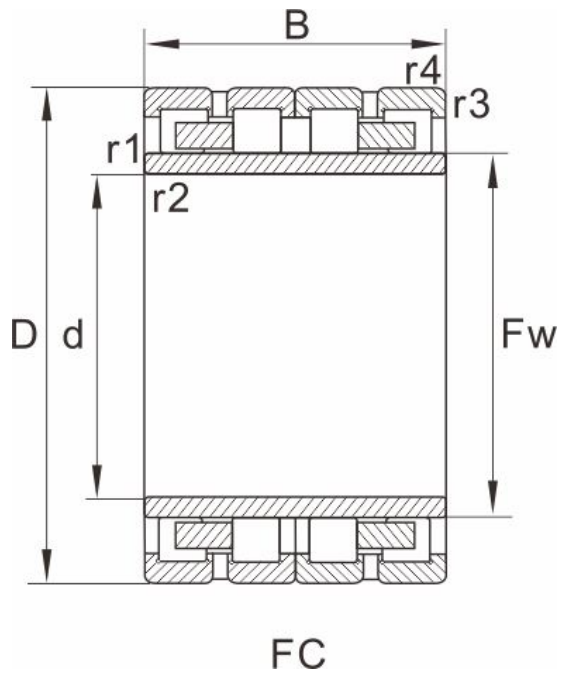


FCD110160520**Dimensions and Parameters**

Bearing No.	FCD110160520
Boundary dimensions(mm)	
d	550
D	800
B	520
Fw	612
r1.2min	6
r3.4min	6
Draw	7

Basic load ratings(kN)

Dynamic(Cr)	11700
Static(Cor)	26500
Weight (kg)	895

Reference model

SKF	316115/VJ202
FAG	
NTN	
NSK	
KOYO	