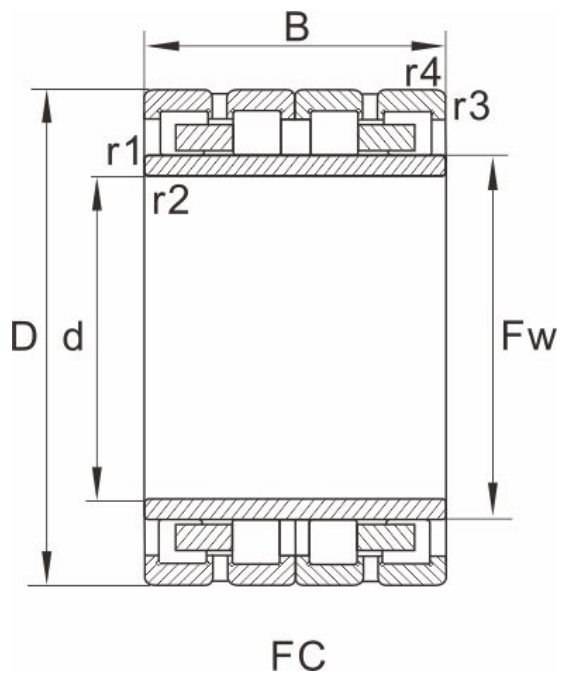


FC84116230

Dimensions and Parameters



Bearing No.	FC84116230
Boundary dimensions(mm)	
d	420
D	580
B	230
Fw	466
r1.2min	4
r3.4min	4
Draw	1

Basic load ratings(kN)

Dynamic(Cr)	2430
Static(Cor)	6250
Weight (kg)	181

Reference model

SKF	
FAG	
NTN	4R8408
NSK	
KOYO	