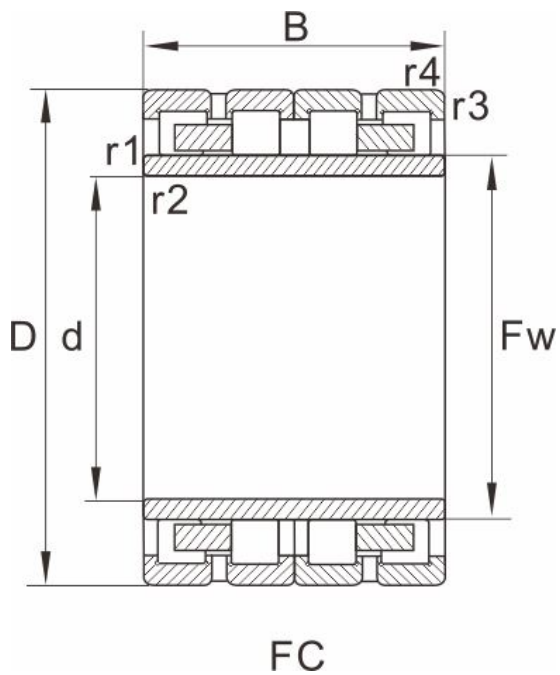


FC6896300A

Dimensions and Parameters



Bearing No.	FC6896300A
Boundary dimensions(mm)	
d	340
D	490
B	300
Fw	380
r1.2min	4
r3.4min	4
Draw	1

Basic load ratings(kN)

Dynamic(Cr)	3500
Static(Cor)	7600
Weight (kg)	187

Reference model

SKF	
FAG	
NTN	
NSK	
KOYO	68FC49300