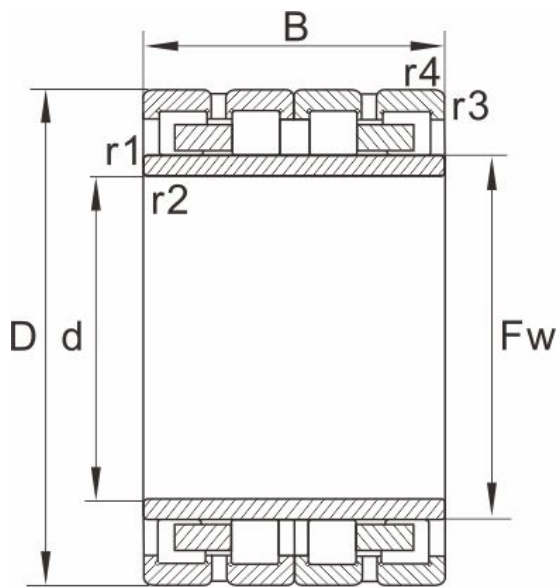


FC6896300

Dimensions and Parameters



FC

Bearing No.	FC6896300
Boundary dimensions(mm)	
d	340
D	490
B	300
Fw	377
r1.2min	4
r3.4min	4
Draw	1

Basic load ratings(kN)

Dynamic(Cr)	3350
Static(Cor)	8300
Weight (kg)	187

Reference model

SKF	
FAG	
NTN	4R6804
NSK	
KOYO	