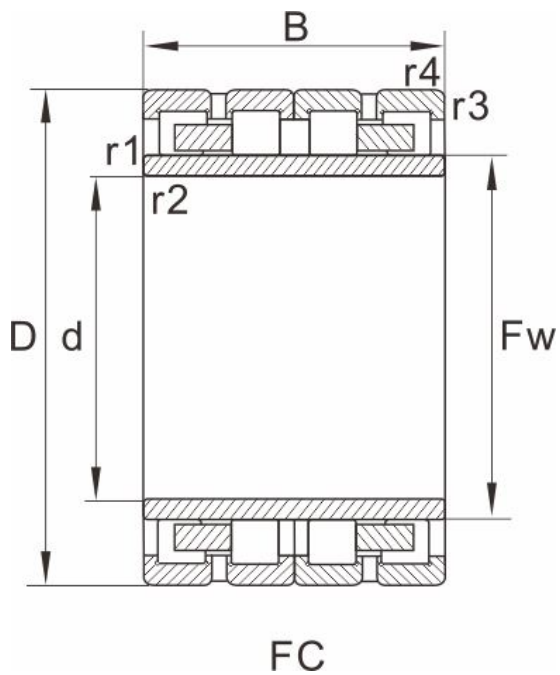


FC5888310

Dimensions and Parameters



Bearing No.	FC5888310
Boundary dimensions(mm)	
d	290
D	440
B	310
Fw	328
r1.2min	4
r3.4min	4
Draw	1

Basic load ratings(kN)

Dynamic(Cr)	4130
Static(Cor)	9210
Weight (kg)	171

Reference model

SKF	
FAG	517796
NTN	
NSK	
KOYO	