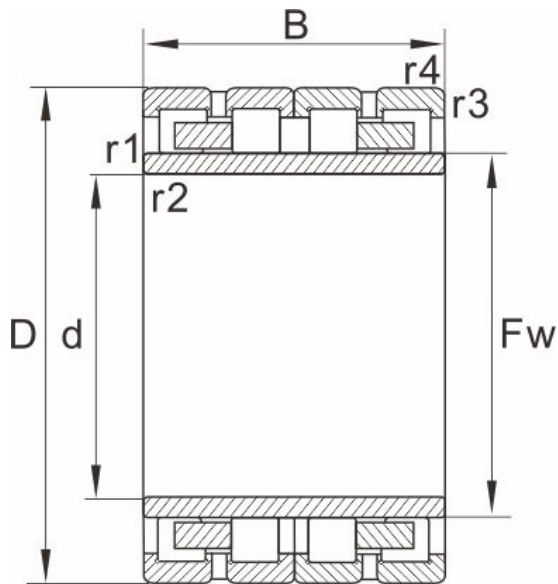


FC5280300

Dimensions and Parameters



FC

Bearing No.	FC5280300
Boundary dimensions(mm)	
d	260
D	400
B	300
Fw	295
r1.2min	5
r3.4min	5
Draw	1

Basic load ratings(kN)

Dynamic(Cr)	3900
Static(Cor)	7600
Weight (kg)	145

Reference model

SKF	
FAG	526803
NTN	
NSK	
KOYO	