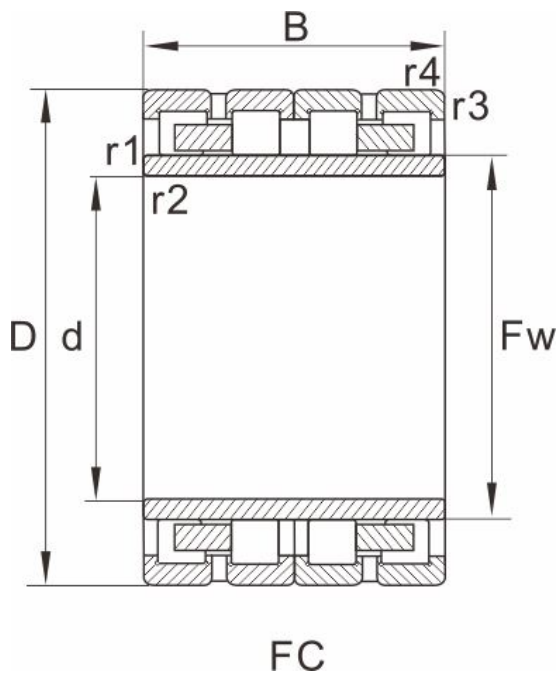


FC5274220**Dimensions and Parameters**

Bearing No.	FC5274220
Boundary dimensions(mm)	
d	260
D	370
B	220
Fw	292
r1.2min	3
r3.4min	3
Draw	3

Basic load ratings(kN)

Dynamic(Cr)	1950
Static(Cor)	4140
Weight (kg)	76.5

Reference model

SKF	313823
FAG	507336
NTN	4R5208
NSK	260RV3701
KOYO	313823