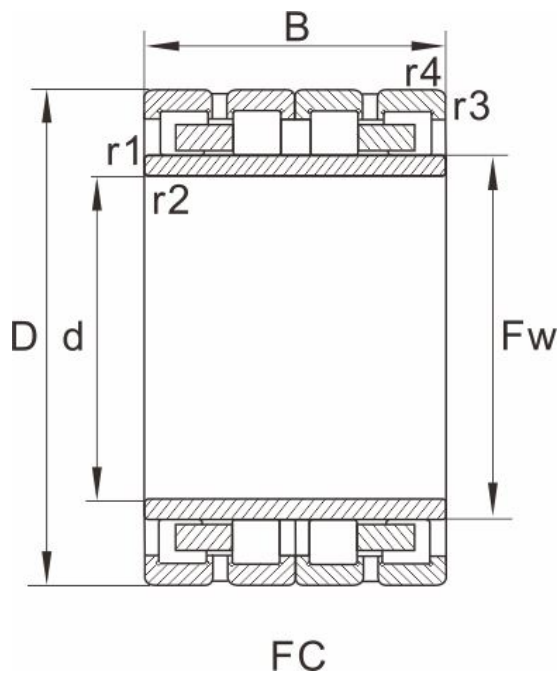


FC5065220**Dimensions and Parameters**

Bearing No.	FC5065220
Boundary dimensions(mm)	
d	250
D	340
B	220
Fw	274
r1.2min	3
r3.4min	3
Draw	2

Basic load ratings(kN)

Dynamic(Cr)	1330
Static(Cor)	3120
Weight (kg)	52.8

Reference model

SKF	
FAG	
NTN	
NSK	
KOYO	