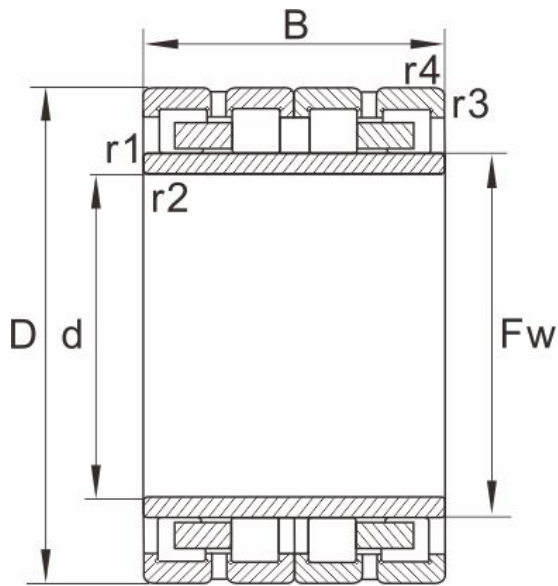


**FC496230****Dimensions and Parameters**

FC

Bearing No.	FC496230
Boundary dimensions(mm)	
d	370
D	480
B	230
Fw	400
r1.2min	4
r3.4min	4
Draw	1

## Basic load ratings(kN)

Dynamic(Cr)	2100
Static(Cor)	6250
Weight (kg)	106

## Reference model

SKF	
FAG	
NTN	4R7405
NSK	
KOYO	