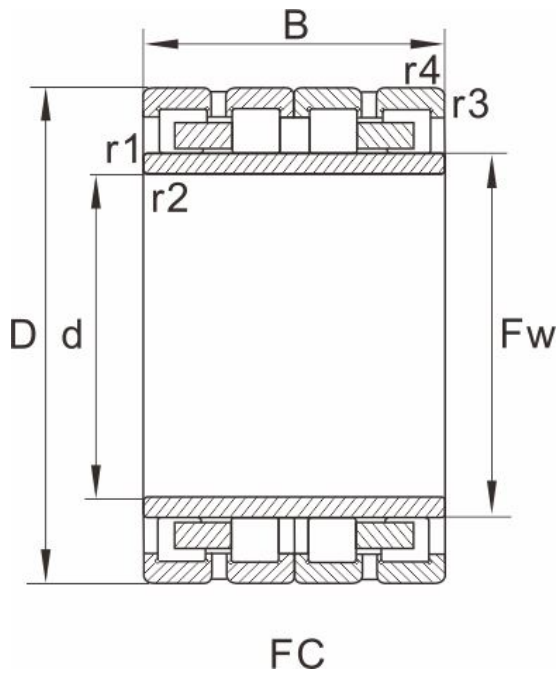


FC4872220A

Dimensions and Parameters



Bearing No.	FC4872220A
Boundary dimensions(mm)	
d	240
D	360
B	220
Fw	274
r1.2min	3
r3.4min	3
Draw	2

Basic load ratings(kN)

Dynamic(Cr)	1860
Static(Cor)	3900
Weight (kg)	79.6

Reference model

SKF	
FAG	
NTN	
NSK	
KOYO	