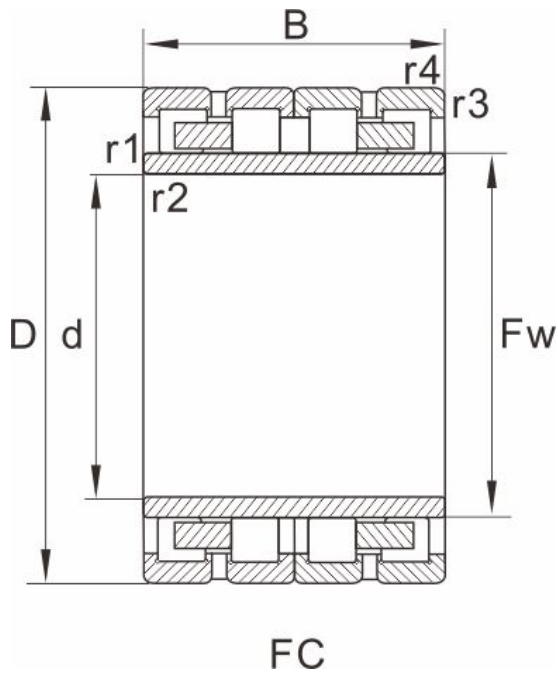


FC4460192

Dimensions and Parameters



Bearing No.	FC4460192
Boundary dimensions(mm)	
d	220
D	300
B	192
Fw	242
r1.2min	2.1
r3.4min	2.1
Draw	2

Basic load ratings(kN)

Dynamic(Cr)	1220
Static(Cor)	3320
Weight (kg)	39.7

Reference model

SKF	
FAG	
NTN	
NSK	
KOYO	