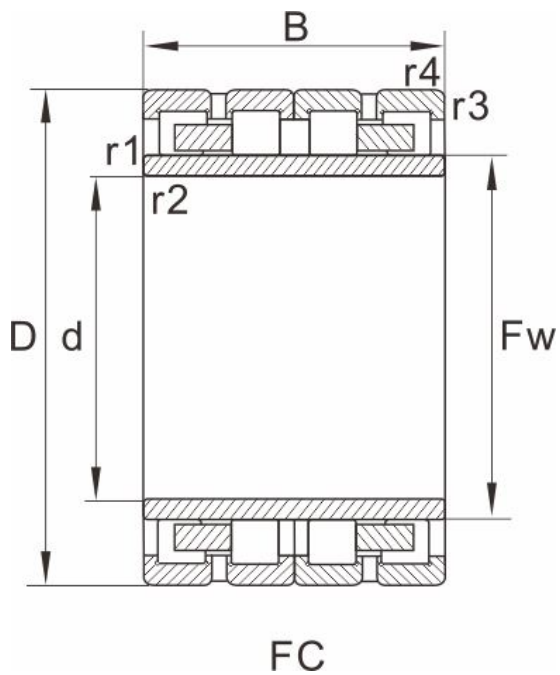


**FC4058202****Dimensions and Parameters**

Bearing No.	FC4058202
Boundary dimensions(mm)	
d	200
D	290
B	202
Fw	226
r1.2min	2.1
r3.4min	2.1
Draw	2

## Basic load ratings(kN)

Dynamic(Cr)	1540
Static(Cor)	3110
Weight (kg)	43.4

## Reference model

SKF	
FAG	
NTN	
NSK	
KOYO	