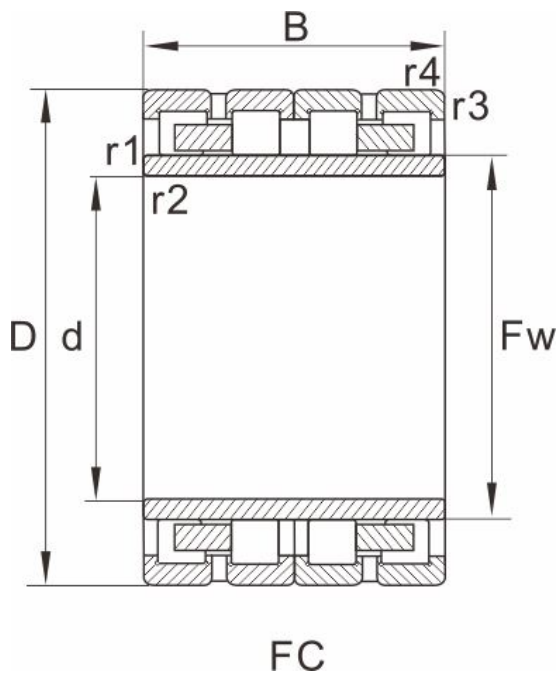


# FC4056200

## Dimensions and Parameters



Bearing No.	FC4056200
Boundary dimensions(mm)	
d	200
D	280
B	200
Fw	222
r1.2min	2.1
r3.4min	2.1
Draw	3

### Basic load ratings(kN)

Dynamic(Cr)	1410
Static(Cor)	3200
Weight (kg)	39

### Reference model

SKF	313893
FAG	508726
NTN	4R4037
NSK	200RV2802
KOYO	313893-1