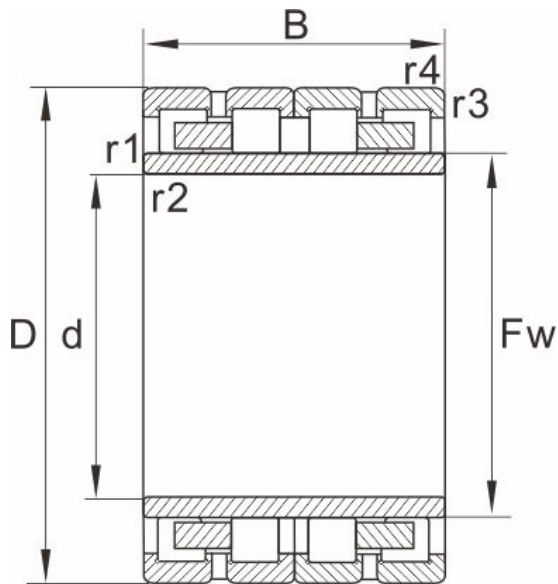


FC4056190

Dimensions and Parameters



FC

Bearing No.	FC4056190
Boundary dimensions(mm)	
d	200
D	280
B	190
Fw	223
r1.2min	2.1
r3.4min	2.1
Draw	1

Basic load ratings(kN)

Dynamic(Cr)	1350
Static(Cor)	3050
Weight (kg)	37.1

Reference model

SKF	
FAG	
NTN	4R4024
NSK	200RV2803
KOYO	40FC28190A