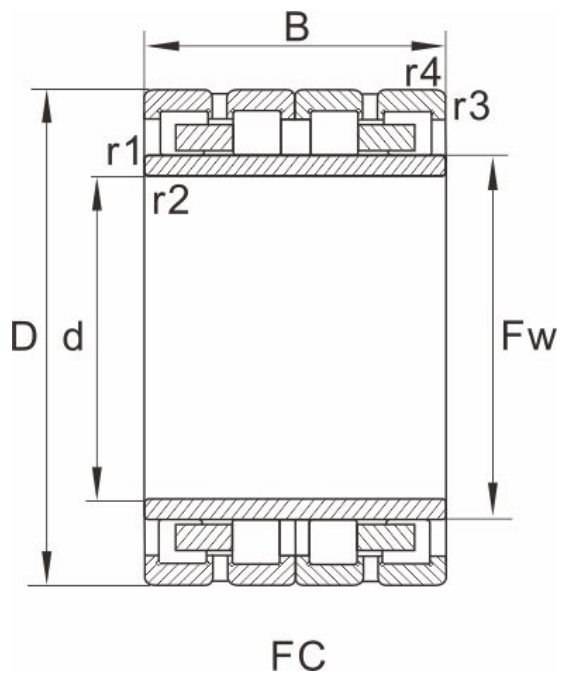


# FC3650156A

## Dimensions and Parameters



Bearing No.	FC3650156A
Boundary dimensions(mm)	
d	180
D	250
B	156
Fw	198
r1.2min	2.1
r3.4min	2.1
Draw	1

### Basic load ratings(kN)

Dynamic(Cr)	880
Static(Cor)	2230
Weight (kg)	23.4

### Reference model

SKF	
FAG	
NTN	
NSK	
KOYO	