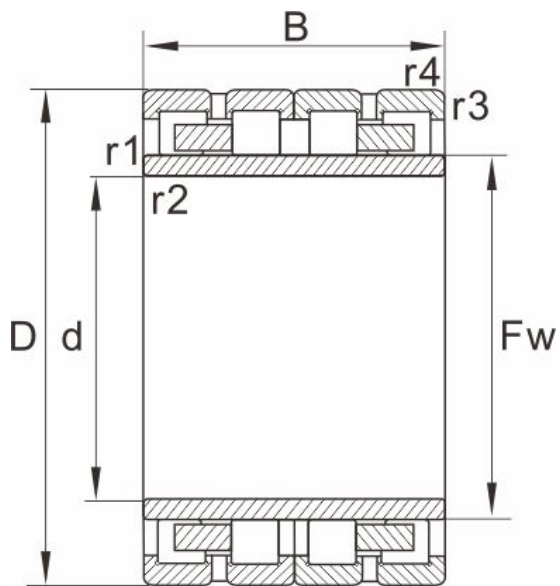


FC3452170**Dimensions and Parameters**

FC

Bearing No.	FC3452170
Boundary dimensions(mm)	
d	170
D	260
B	170
Fw	195
r1.2min	2.1
r3.4min	2.1
Draw	2

Basic load ratings(kN)

Dynamic(Cr)	1035
Static(Cor)	2096
Weight (kg)	32.7

Reference model

SKF	
FAG	
NTN	
NSK	
KOYO	