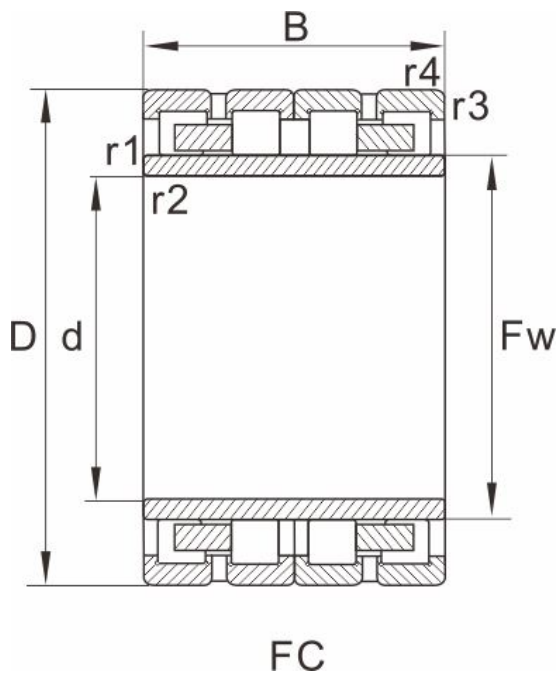


# FC3450170

## Dimensions and Parameters



Bearing No.	FC3450170
Boundary dimensions(mm)	
d	170
D	250
B	170
Fw	192
r1.2min	2.1
r3.4min	2.1
Draw	1

### Basic load ratings(kN)

Dynamic(Cr)	1180
Static(Cor)	2320
Weight (kg)	28.6

### Reference model

SKF	
FAG	
NTN	
NSK	170RV2502
KOYO	34FC25170