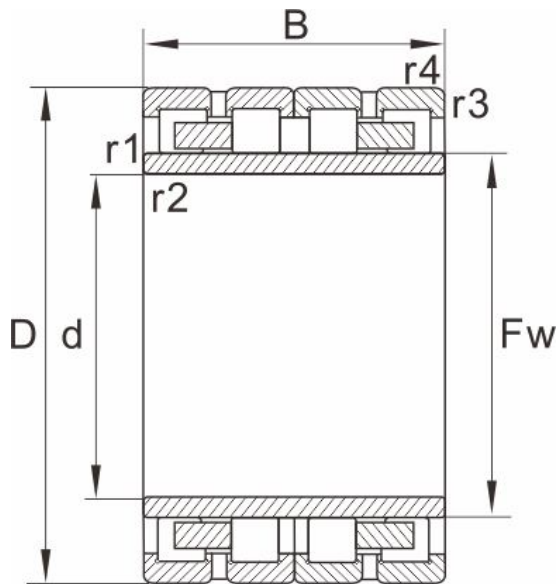


FC3248124

Dimensions and Parameters



FC

Bearing No.	FC3248124
Boundary dimensions(mm)	
d	160
D	240
B	124
Fw	183
r1.2min	2.1
r3.4min	2.1
Draw	2

Basic load ratings(kN)

Dynamic(Cr)	750
Static(Cor)	1360
Weight (kg)	19.6

Reference model

SKF	
FAG	
NTN	
NSK	
KOYO	