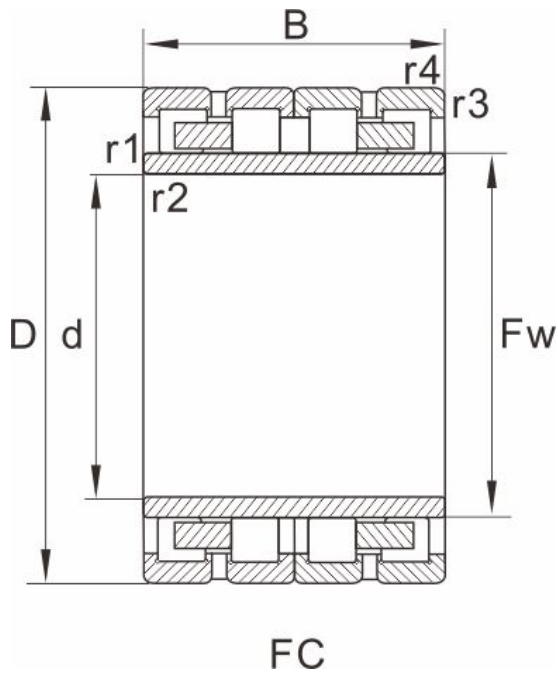


FC2945156

Dimensions and Parameters



Bearing No.	FC2945156
Boundary dimensions(mm)	
d	145
D	225
B	156
Fw	169
r1.2min	2
r3.4min	2
Draw	3

Basic load ratings(kN)

Dynamic(Cr)	835
Static(Cor)	1820
Weight (kg)	23

Reference model

SKF	313924A
FAG	538522
NTN	4R2904
NSK	145RV2201
KOYO	313924