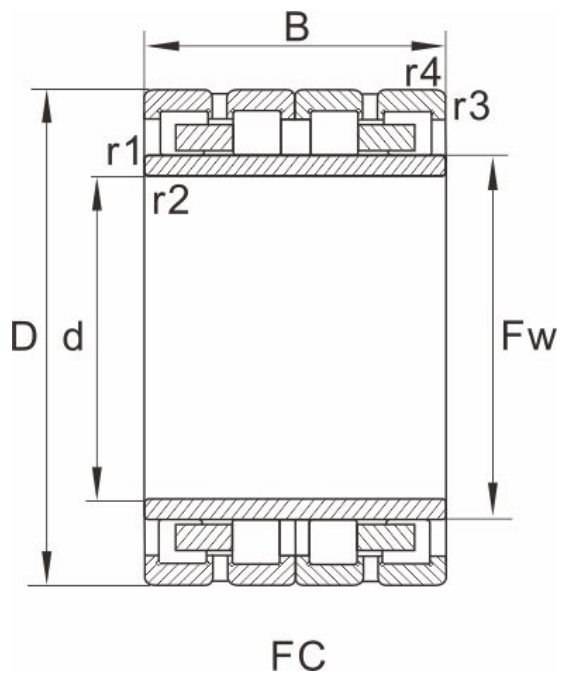


# FC2842125

## Dimensions and Parameters



| Bearing No.             | FC2842125 |
|-------------------------|-----------|
| Boundary dimensions(mm) |           |
| d                       | 140       |
| D                       | 210       |
| B                       | 125       |
| Fw                      | 158       |
| r1.2min                 | 2         |
| r3.4min                 | 2         |
| Draw                    | 2         |

### Basic load ratings(kN)

|             |      |
|-------------|------|
| Dynamic(Cr) | 715  |
| Static(Cor) | 1265 |
| Weight (kg) | 14.9 |

### Reference model

|      |  |
|------|--|
| SKF  |  |
| FAG  |  |
| NTN  |  |
| NSK  |  |
| KOYO |  |