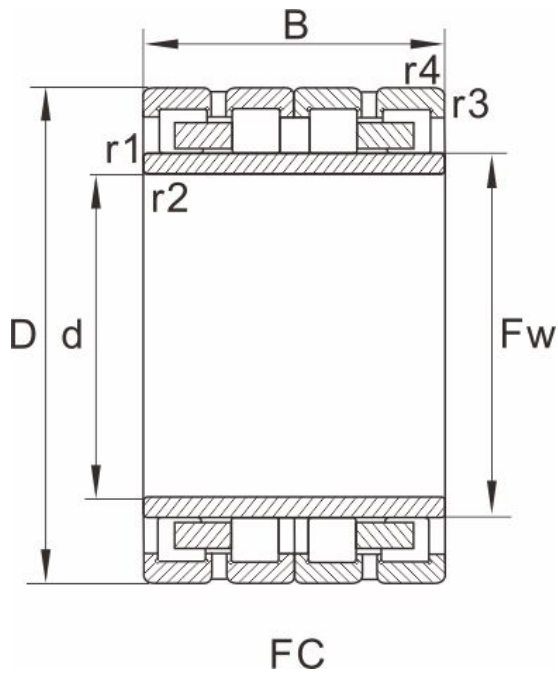


# FC2030106

## Dimensions and Parameters



Bearing No.	FC2030106
Boundary dimensions(mm)	
d	100
D	150
B	106
Fw	113
r1.2min	1.5
r3.4min	1.1
Draw	2

### Basic load ratings(kN)

Dynamic(Cr)	480
Static(Cor)	857
Weight (kg)	6.6

### Reference model

SKF	
FAG	
NTN	
NSK	
KOYO	