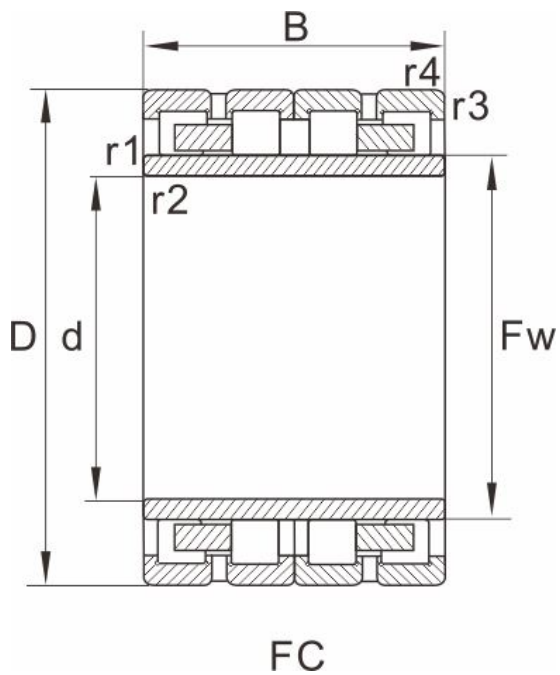


**FC202970****Dimensions and Parameters**

Bearing No.	FC202970
Boundary dimensions(mm)	
d	100
D	145
B	70
Fw	113
r1.2min	1.5
r3.4min	1.5
Draw	2

## Basic load ratings(kN)

Dynamic(Cr)	253
Static(Cor)	546
Weight (kg)	3.8

## Reference model

SKF	
FAG	
NTN	
NSK	
KOYO	20FC1570