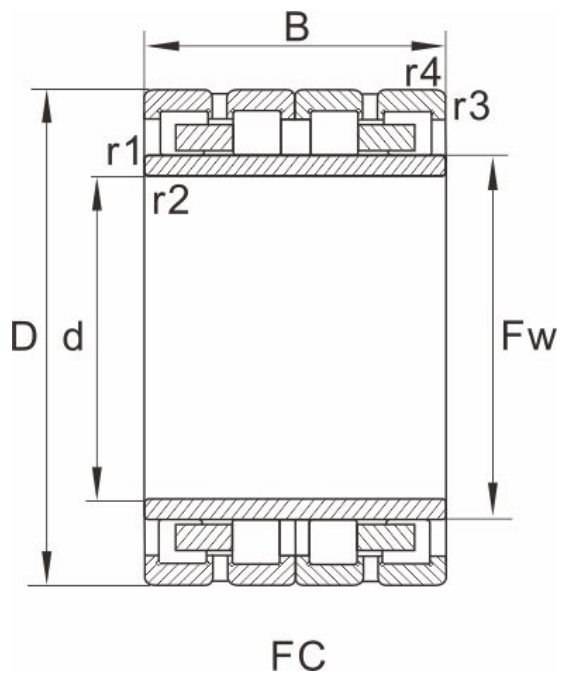


FC202780**Dimensions and Parameters**

Bearing No.	FC202780
Boundary dimensions(mm)	
d	100
D	135
B	80
Fw	110
r1.2min	1.5
r3.4min	1.5
Draw	2

Basic load ratings(kN)

Dynamic(Cr)	236
Static(Cor)	520
Weight (kg)	3

Reference model

SKF	
FAG	
NTN	
NSK	
KOYO	