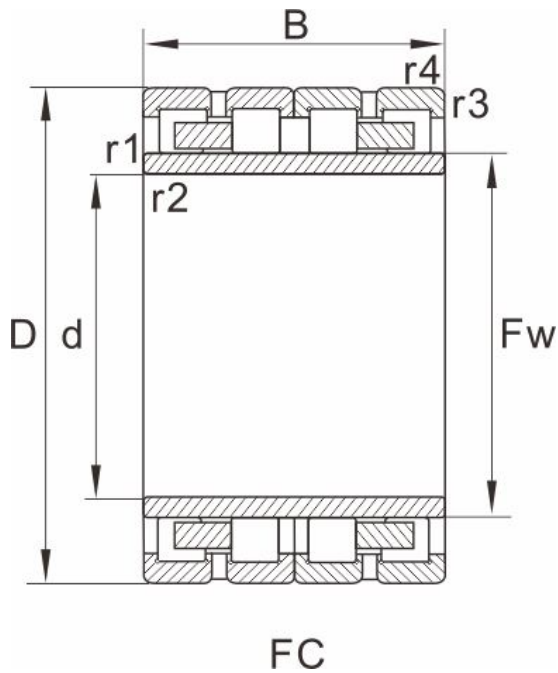


# FC1828105

## Dimensions and Parameters



Bearing No.	FC1828105
Boundary dimensions(mm)	
d	90
D	140
B	1405
Fw	105
r1.2min	1.5
r3.4min	1.5
Draw	2

### Basic load ratings(kN)

Dynamic(Cr)	402
Static(Cor)	739
Weight (kg)	6

### Reference model

SKF	
FAG	
NTN	
NSK	
KOYO	