

BT2B332931

Dimensions and Parameters

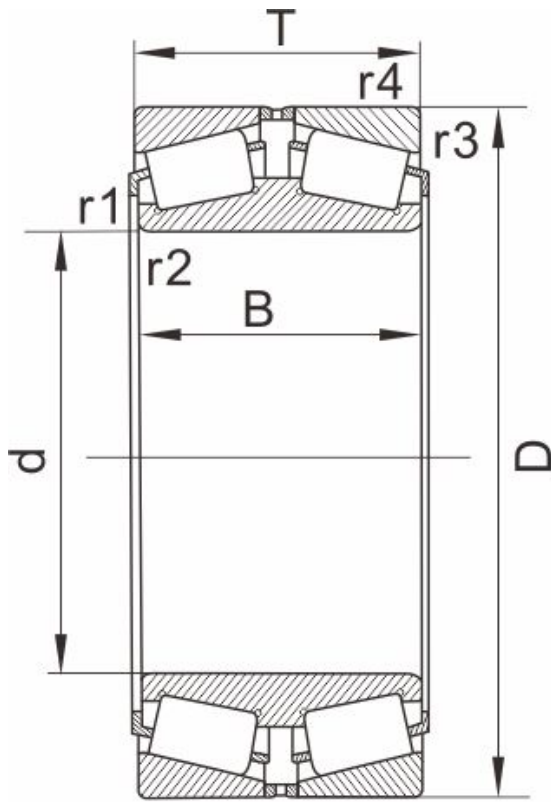


图 Design 11

Designation	BT2B332931
-------------	------------

Boundary dimension [mm]

d	240,9.4488
D	480
T	220
B	200
r1,r2 Min	2.5
r3,r4 Min	5
Mass (kg)	183
AFBMA	--
Design	11

Load ratings[kN]

Dyn Cr	3190
Stat Cor	5800

Calculation factors

e	0.72
Y1	0.94
Y2	1.4
Y0	0.9
K	0.82