

Double Row Tapered Roller Bearings (One Double Row Outer Ring and Two Inner Rings)

BT2B332845/HA2

Dimensions and Parameters

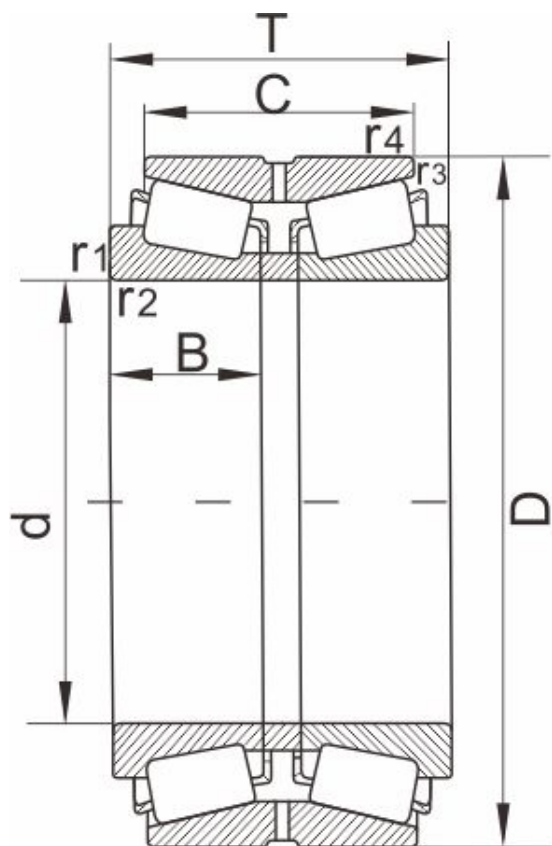


图 Design 11

Designation	BT2B332845/HA2
Boundary dimensions[mm]	
d	330.200,13.0000
D	482.6
T	177.8
C	127
r1,r2 Min	3.3
r3,r4 Min	1.5
Mass[kg]	100
AFBMA	EE526132/526191D
Design	11
Load ratings[kN]	
dyn Cr	2240
stat Cor	4780
Calculation factors	
e	0.4
Y1	1.7
Y2	2.5
Y0	1.6
K	1.49